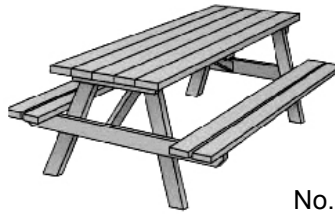


## DIY Assembly Plan

### Deluxe Barbeque/Picnic Table (1.8mtr)



#### Manufactured with:

No. 2 radiata pine timber treated H3  
Galvanised coach bolts, washers and nuts  
Pozi drive screws & bit

[www.iwitable.co.nz](http://www.iwitable.co.nz)

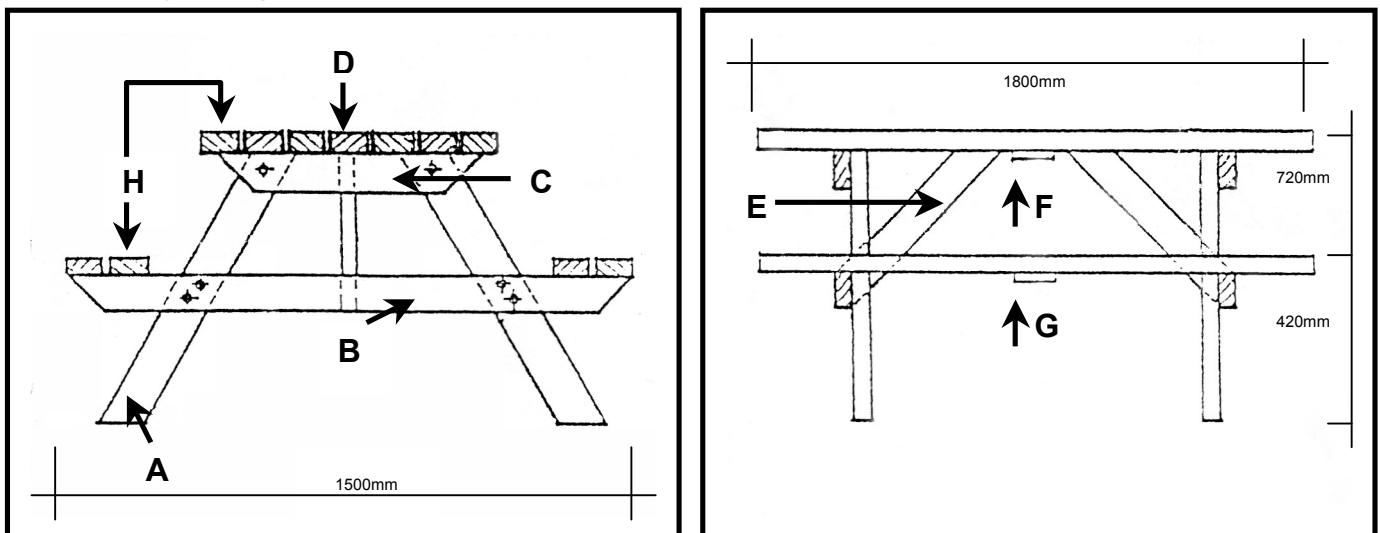
#### Material Checklist

<b>A</b>	4	x	Support Legs	<b>B</b>	2	x	Seat Supports
<b>C</b>	2	x	Table Top Supports	<b>D</b>	1	x	Umbrella Slat (Table Top)
<b>E</b>	2	x	Angle Braces	<b>F</b>	2	x	Table Top Braces
<b>G</b>	2	x	Seat Braces	<b>H</b>	10	x	Table & Seat Slats
	18	x	8 x 40mm Pozi Drive Screws		12	x	M8 x 90mm Galv Coach bolts, Nuts & Washers
	50	x	8 x 65mm Pozi Drive Screws				

#### Required Tools

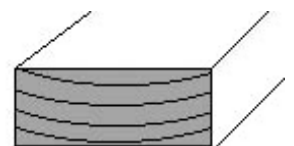
1	x	Hammer	1	x	Tape Measure
1	x	Pozi Insert Screw Driver	1	x	No. 13 Crescent

#### Assembly Diagram



#### Tip

Always screw the seat and tabletop slats with the grain as shown here. This will ensure if they cup it will be with the concave face down.



PTO

## Assembly Instructions

1. Assemble two main frames with A+B+C using the bolts provided.

Starting from the outside of your frame, tap bolts through with your hammer. The bolt head should sit flush with the timber.

Next proceed to place a washer to the screw, followed by the nut on the reverse side and tighten.

2. Mark in from each end of slats (D) 0.100mm. These marks are to be used for lining up with your outer edges (B&C).
3. Screw a slat on both outer ends of (B) with 10mm overhang using one 65mm screw per join at this point (we will add one more later).
4. To square, move the table until both diagonal measurements are the same.
5. Keeping the table square, proceed to screw the remaining slats (H). Two 65mm Pozi screws per join. Remember slat (D) should be placed in the centre of the table.
6. Invert the table and screw into place, the table top brace (F). Use 40mm Pozi drive screws and ensure the umbrella hole lines up.

Proceed to screw 2 seat braces to (H) in the centre underside of the seat slats.

7. Screw a brace (E) to the centre of each main frame (B) and to the underside of the centre tabletop slat (D) use 65mm Pozi screws.
8. Stand your table upright and your ready to use.



### Tips

*To stop seesaw effects, ensure galvanised coach bolts are kept tight.*

*To further enhance and add durability to your efforts consider an oil base stain to increase the life span of your table.*

**END**