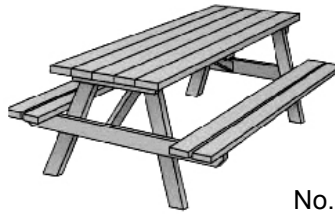


# DIY Assembly Plan

## Kids Barbeque/Picnic Table (1.0mtr)



### Manufactured with:

No. 2 radiata pine timber treated H3  
Galvanised coach bolts, washers and nuts  
Pozi drive screws & bit

[www.iwitable.co.nz](http://www.iwitable.co.nz)

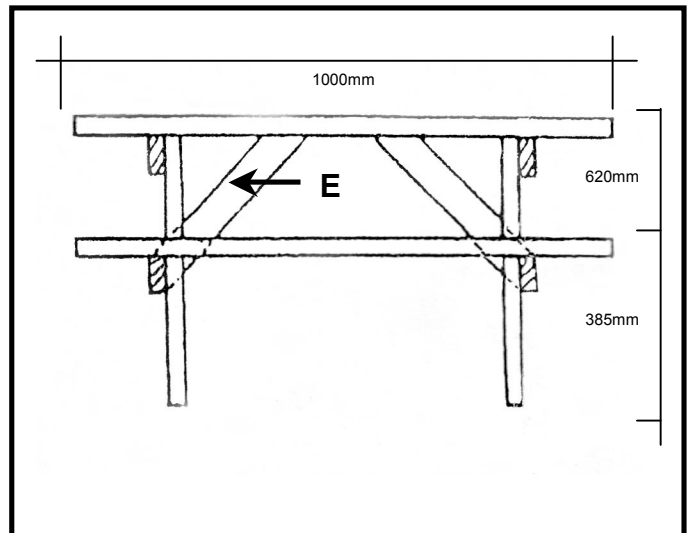
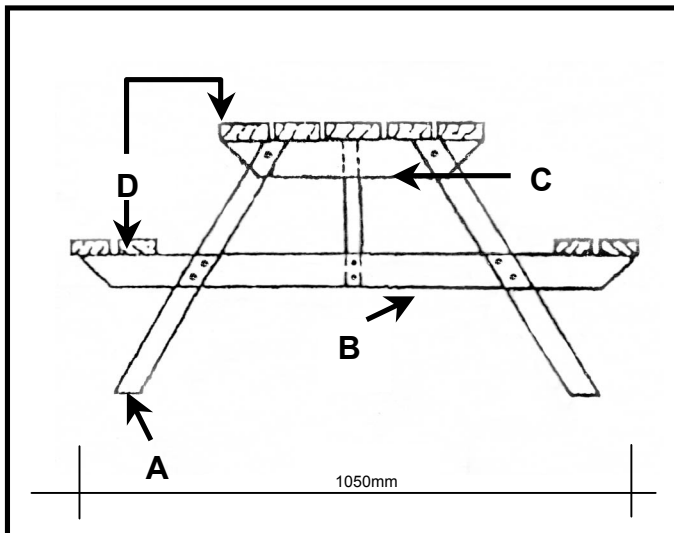
### Material Checklist

<b>A</b>	4	x	Support Legs	<b>B</b>	2	x	Seat Supports
<b>C</b>	2	x	Table Top Supports	<b>D</b>	9	x	Table & Seat Slats
<b>E</b>	2	x	Angle Braces	12	x	M6 x 65mm Galv Coach bolts, Nuts & Washers	
	44	x	8 x 40mm Pozi Drive Screws				

### Required Tools

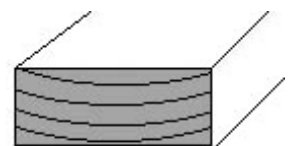
1	x	Hammer	1	x	Tape Measure
1	x	Pozi Insert Screw Driver	1	x	No. 10 Crescent

### Assembly Diagram



### Tip

Always screw the seat and tabletop slats with the grain as shown here. This will ensure if they cup it will be with the concave face down.



PTO

## Assembly Instructions

1. Assemble two main frames with A+B+C using the bolts provided.

Starting from the outside of your frame, tap bolts through with your hammer. The bolt head should sit flush with the timber.

Next proceed to place a washer to the screw, followed by the nut on the reverse side and tighten.

2. Mark in from each end of slats (D) 0.100mm. These marks are to be used for lining up with your outer edges (B&C).
3. Screw a slat on both outer ends of (C) with 12mm overhang using one 40mm screw per join at this point (we will add one more later).
4. To square, move the table until both diagonal measurements are the same.
5. Keeping the table square, proceed to screw the remaining slats (D). Two 40mm Pozi screws per join.
6. Invert the table and screw a brace (E) to the centre of each main frame (B) and to the underside of the centre tabletop slat (D) use 40mm Pozi screws.
7. Stand your table upright and your ready to use.



### Tips

*To stop seesaw effects, ensure galvanised coach bolts are kept tight.*

*To further enhance and add durability to your efforts consider an oil base stain to increase the life span of your table.*

**END**